

DINGS'
Precision Motion Specialist

FRAMELESS MOTOR PRODUCT CATALOG

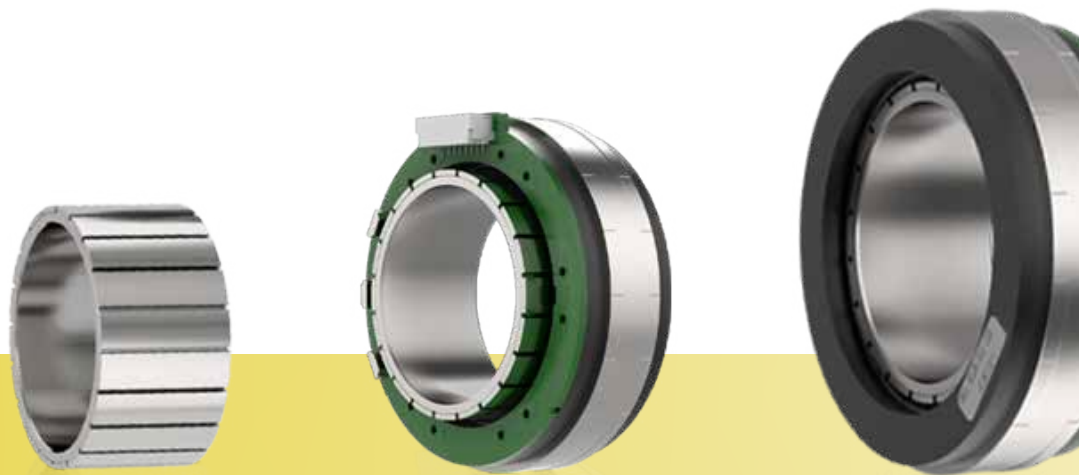


The modular design of the stator and rotor, along with optimized slot ratios, improves the motor's torque density.

The rotor has a large inner bore space, and the stator is designed for embedded installation by the customer, facilitating personalized design including mounting structures and cooling systems, offering greater flexibility for custom systems.

The optimized slot-pole combination reduces motor cogging torque, ensuring smooth motor operation.

The structure is compact and highly integrated.



FRAMELESS MOTOR

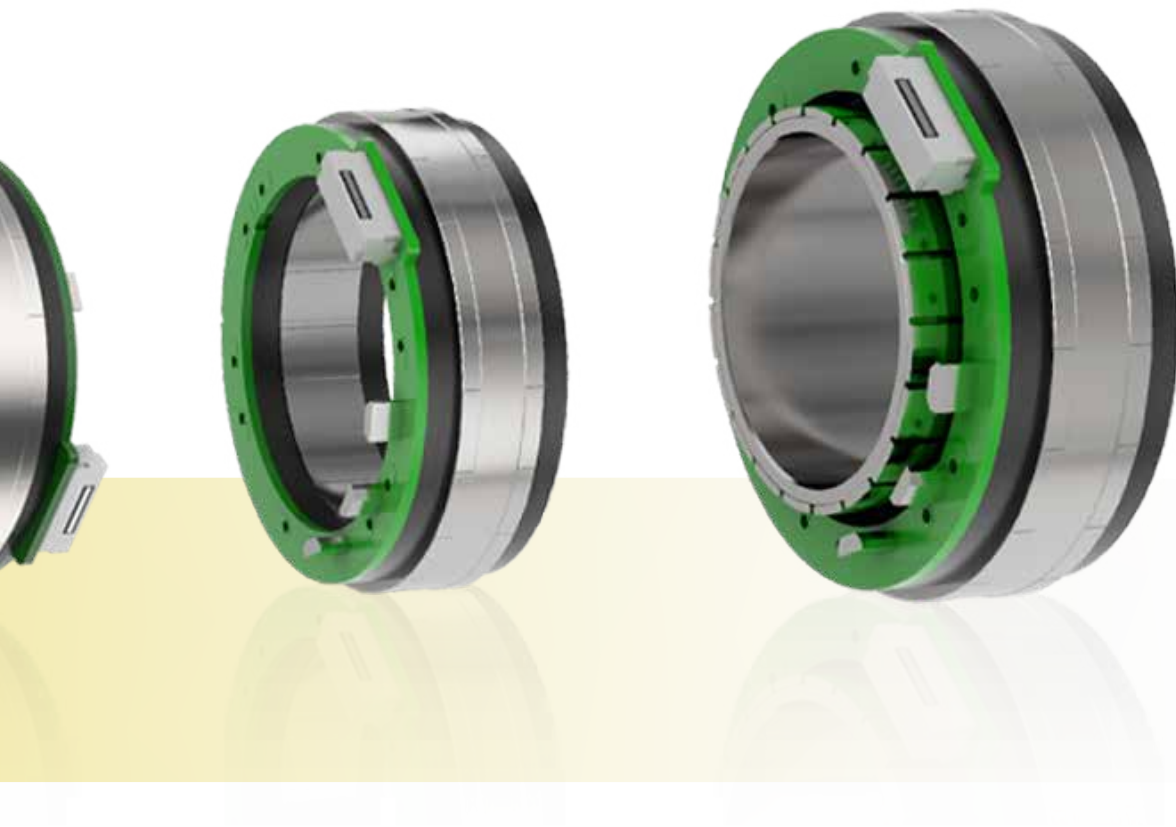
CONTENTS

Part number construction

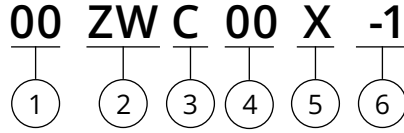
50mm series

70 mm series

85 mm series



Part Number Construction



① Motor Size

Motor Size (mm)	50	70	85
-----------------	----	----	----

② Product Name

ZW = Slotted Brushless DC Motor

③ Motor Shape

C = Circular type

④ Motor Length

Unit : mm

when the length involves decimal points, use "_" instead

⑤ Motor Casing

X = Inorganic Shell

⑥ Customer Sequence Number

Example

Part Number 50ZWC15X-001

Description 50mm frame size
 Round frameless torque motor
 Body length: 15mm
 Without housing
 Customization number 001

50mm Frameless Motor

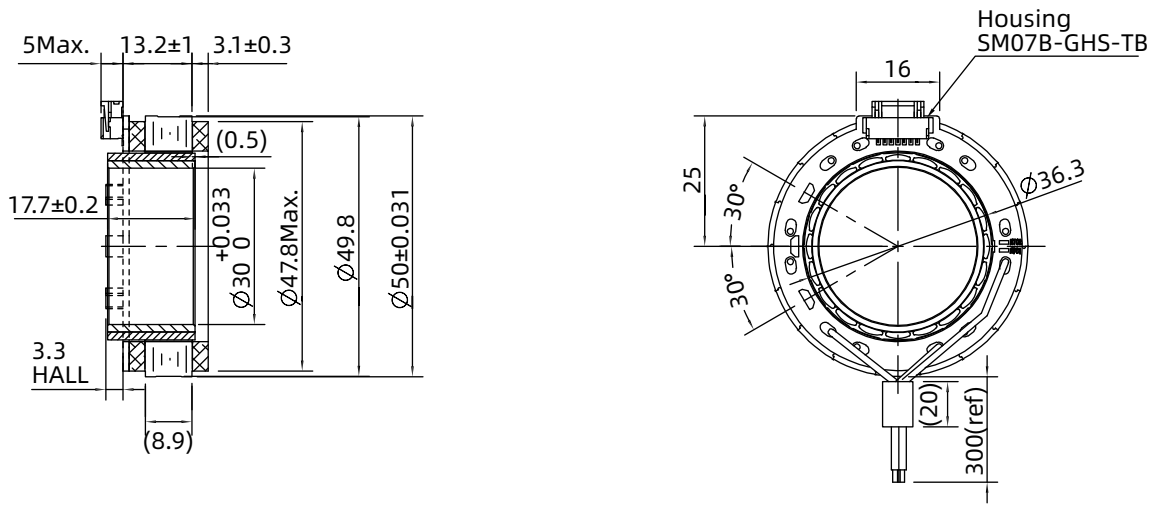


Motor Characteristics

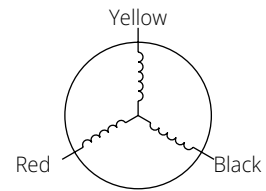
Motor part number		50ZWC15X-1
Stator Outer Diameter	mm	50±0.031
Rotor Inner Bore	mm	30+0.033
Number of Slots	-	18
Number of Pole Pairs	-	10
Phase Resistance	Ω	0.62
Phase Inductance	mH	0.43
Winding Connection Type	-	Star shape
Insulation Class	-	B
Duty Cycle	-	S2
Feedback Method	-	Hall sensor
Commutation Angle	-	120°
Insulation Strength (Dielectric Strength)	-	500VAC/1mA/1s
Insulation Resistance	-	100 MΩ/500VDC
Stator Weight	g	77.5
Rotor Weight	g	38
No-Load Speed	RPM	6400
No-Load Current	A	0.4(REF)
Rated Voltage	VDC	48
Rated Power	W	163
Rated Torque	N·m	0.3
Rated Speed	RPM	5200
Rated Current	A	3.6
Torque Constant	Nm/A	0.09
Back EMF Constant (RMS)	Vrms/Krpm	5.5
Peak Torque	N·m	0.96
Peak Current	A	10.7
Moment of Inertia	g·cm ²	100

50mm Frameless Motor

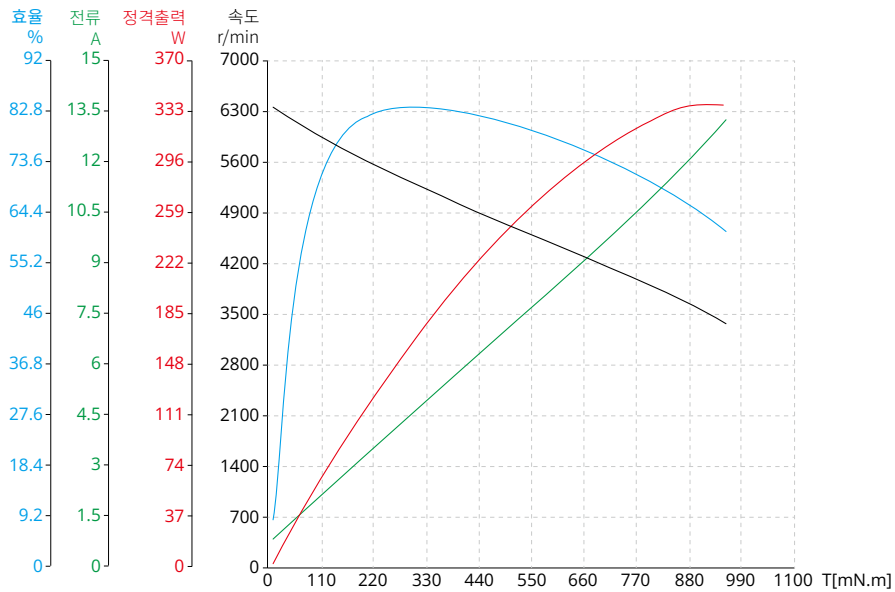
Dimensional Drawings



Lead-out type	Lead-out color	Function
UL1332 AWG20	Yellow	U phase
	Red	V phase
	Black	W phase



Torque Performance Curves



70mm Frameless Motor

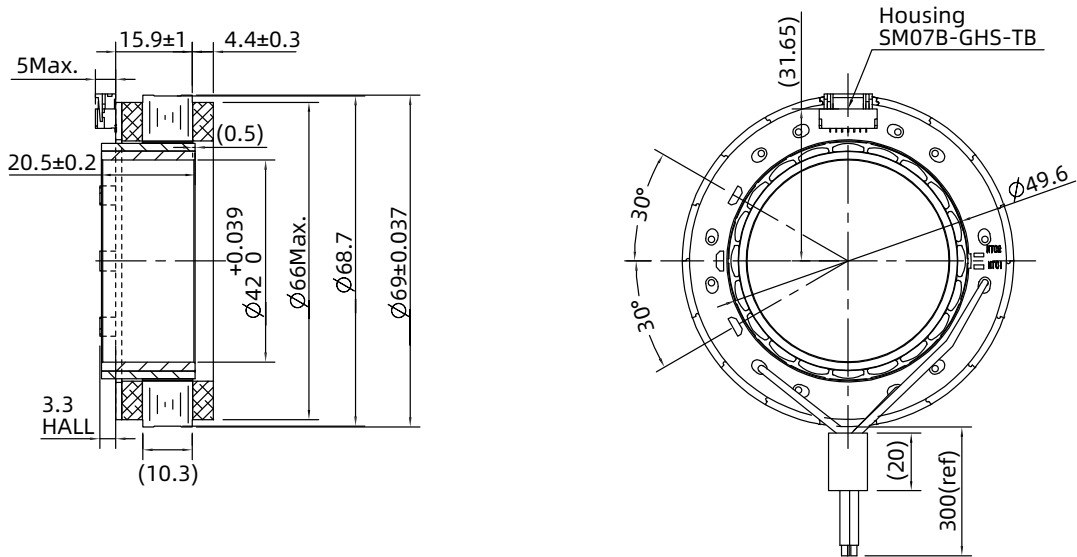


Motor Characteristics

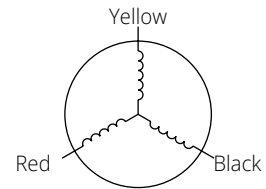
Motor part number		70ZWC20X-1
Stator Outer Diameter	mm	69±0.037
Rotor Inner Bore	mm	42+0.039
Number of Slots	-	18
Number of Pole Pairs	-	10
Phase Resistance	Ω	0.36
Phase Inductance	mH	0.51
Winding Connection Type	-	Star shape
Insulation Class	-	B
Duty Cycle	-	S2
Feedback Method	-	Hall sensor
Commutation Angle	-	120°
Insulation Strength (Dielectric Strength)	-	500VAC/1mA/1s
Insulation Resistance	-	100 MΩ/500VDC
Stator Weight	g	167.5
Rotor Weight	g	72
No-Load Speed	RPM	4350
No-Load Current	A	0.5(REF)
Rated Voltage	VDC	48
Rated Power	W	201
Rated Torque	N·m	0.55
Rated Speed	RPM	3500
Rated Current	A	4.4
Torque Constant	Nm/A	0.134
Back EMF Constant (RMS)	Vrms/Krpm	8.1
Peak Torque	N·m	1.65
Peak Current	A	13.2
Moment of Inertia	g·cm ²	358

70mm Frameless Motor

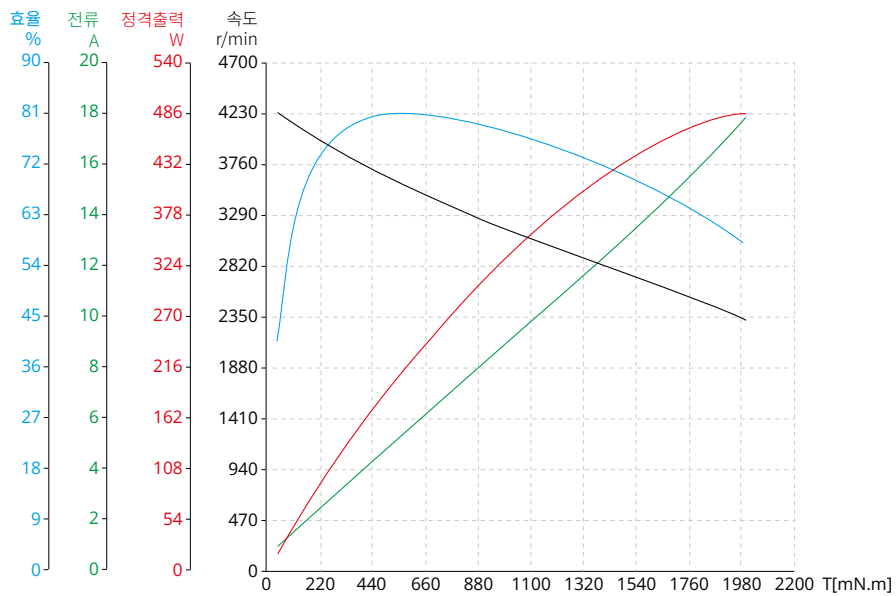
Dimensional Drawings



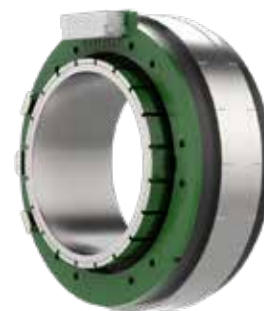
Lead-out type	Lead-out color	Function
UL1332 AWG20	Yellow	U phase
	Red	V phase
	Black	W phase



Torque Performance Curves



85mm Frameless Motor

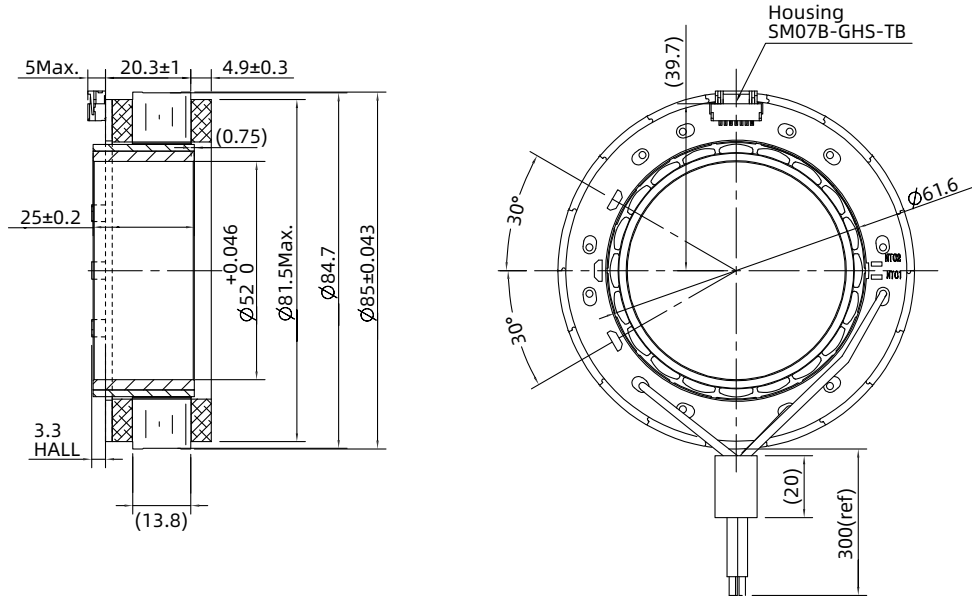


Motor Characteristics

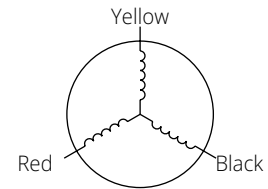
Motor part number		85ZWC25X-1
Stator Outer Diameter	mm	85±0.043
Rotor Inner Bore	mm	52+0.046
Number of Slots	-	18
Number of Pole Pairs	-	10
Phase Resistance	Ω	0.165
Phase Inductance	mH	0.33
Winding Connection Type	-	Star shape
Insulation Class	-	B
Duty Cycle	-	S2
Feedback Method	-	Hall sensor
Commutation Angle	-	120°
Insulation Strength (Dielectric Strength)	-	500VAC/1mA/1s
Insulation Resistance	-	100 MΩ/500VDC
Stator Weight	g	324
Rotor Weight	g	136
No-Load Speed	RPM	3650
No-Load Current	A	0.6(REF)
Rated Voltage	VDC	48
Rated Power	W	408
Rated Torque	N·m	1.3
Rated Speed	RPM	3000
Rated Current	A	8.6
Torque Constant	Nm/A	0.16
Back EMF Constant (RMS)	Vrms/Krpm	9.7
Peak Torque	N·m	3.9
Peak Current	A	25.7
Moment of Inertia	g·cm ²	1086

85mm Frameless Motor

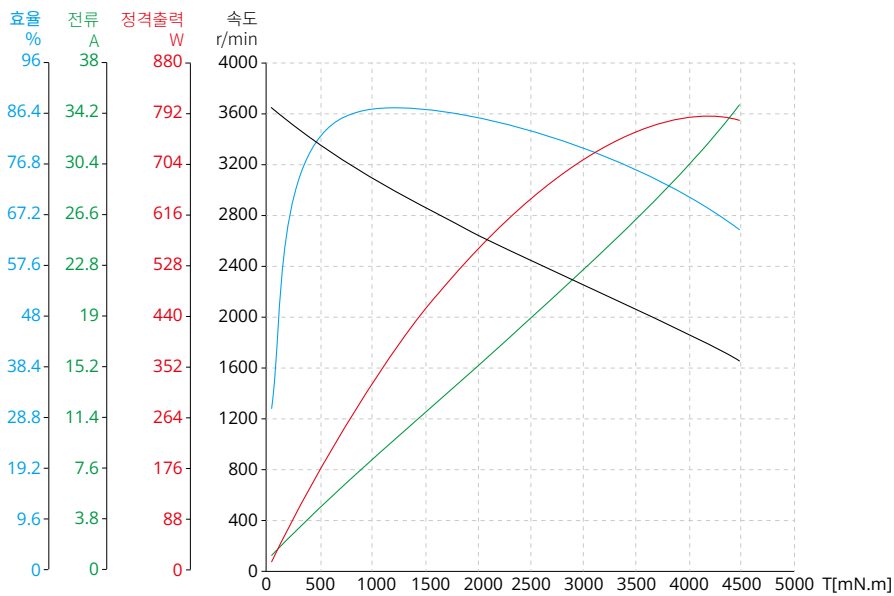
Dimensional Drawings



Lead-out type	Lead-out color	Function
UL1332 AWG16	Yellow	U phase
	Red	V phase
	Black	W phase



Torque Performance Curves



Note : All drawings are 1st Angle Projection - ISO Compliant (3D models available)

DINGS'

Precision Motion Specialist

Headquarter , CHINA

Jiangsu DINGS' Intelligent Control Technology Co., LTD

No.2850 Luheng Road, Changzhou Economic Development Zone, Jiangsu Province, China

Phone : +86-519-85177826

Fax : +86-519-85177807

E-mail : info@dingsmotion.com

www.dingsmotion.com

Shenzhen Office

Room 1105, Block C, CIMC industry demonstration park, Qiaoming Road, Guangming district, Shenzhen City

E-mail : info@dingsmotion.com

International Office

DINGS' Motion USA

355 Cochrane Circle Morgan Hill, CA 95037

Phone : +1-408-612-4970

E-mail : sales@dingsmotionusa.com

www.dingsmotionusa.com

DINGS' KOREA Co., Ltd

C-702, 158, Haneulmaeul-ro, Ilsandong-gu, Goyang-si, Gyeonggi-do, Republic of Korea

Phone : +82-31-994-0755

Fax : +82-70-4325-0755

E-mail : daniel@dingsmotion.com

www.dingsmotion.kr

DINGS' JAPAN

101, 2-27-18, Nishi-kojiya, Ota-ku, Tokyo 144-0034 JAPAN

Phone : +81-3-6811-1335

E-mail : tsukahara@dingsmotion.com

www.dingsmotion.com

- This catalog is the sole property of DINGS' and without the written authorization of DINGS', any copy or forwarding is prohibited.
- DINGS' reserves the right to make changes without further notification to any products herein to improve the reliability, function or design.
- DINGS' reserves the final interpretation.